



Project checklist

- Call Mark and review schedule
- Finalize order process
- Launch schedule review with

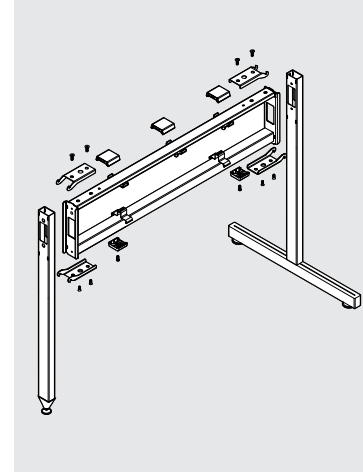


TABLE OF CONTENTS

- Power Beam Assembly **4**
- Electrics **5**
- Corner Posts **6**
- Over Panels **7**
- Laminate Gallery Panels **8**
- Storage Cabinets **8**
- Felt Dividers **9**
- Privacy Glass **10**

INSTALLATION GUIDELINES

Power Beam



Required Tools

- Safety Glasses
- Rubber Mallet
- Metal Pick*
- Fabric Spline Roller*
- Power Prill (var speed, rev)
- Magnetic drill bit holders
- 1/4" Nut-Driver
- 5/16" Nut-Driver
- 3/8" Nut-Driver
- #2 Robertson Screwdriver
- #3 Robertson Screwdriver
- Large 1/4" Blade Screwdriver
- 3/16" Diamiter Punch
- Utility Knife
- 48" Long Level
- Tape Measure
- Gloves

Additional items you may find useful:

- #2 Phillips Screwdriver
- #3 Phillips Screwdriver
- 1/2" Wrench
- 9/16" Wrench
- Adjustable 8" Wrench
- Needlenose Pliers
- Large Channel Lock Pliers
- Fine tooth Saw (Hacksaw)
- General Purpose Prybar

Screws Used During Installation

- 1/2" Pan Head Screw
- 1/2" Pan Head Tapping Screw

* These Items are available through customer service at 856.552.4000.

Please contact your Evolve Service Representative at 856.552.4000 for any questions or concerns.

NOTE: Any alterations to listed components will void the manufacturer's warranty. The manufacturer will not be responsible for any damage or bodily harm caused

by alterations in accordance with national or local electrical codes and manufacturer's specifications. In accordance with the manufacturer's policy of continual product improvement, the product presented in this document is subject to change without notice or obligation.24

Power Beam

STEP 1: Connect the power beam (a) to the connectors using four clamps (b).
Two at the bottom, two at the top.

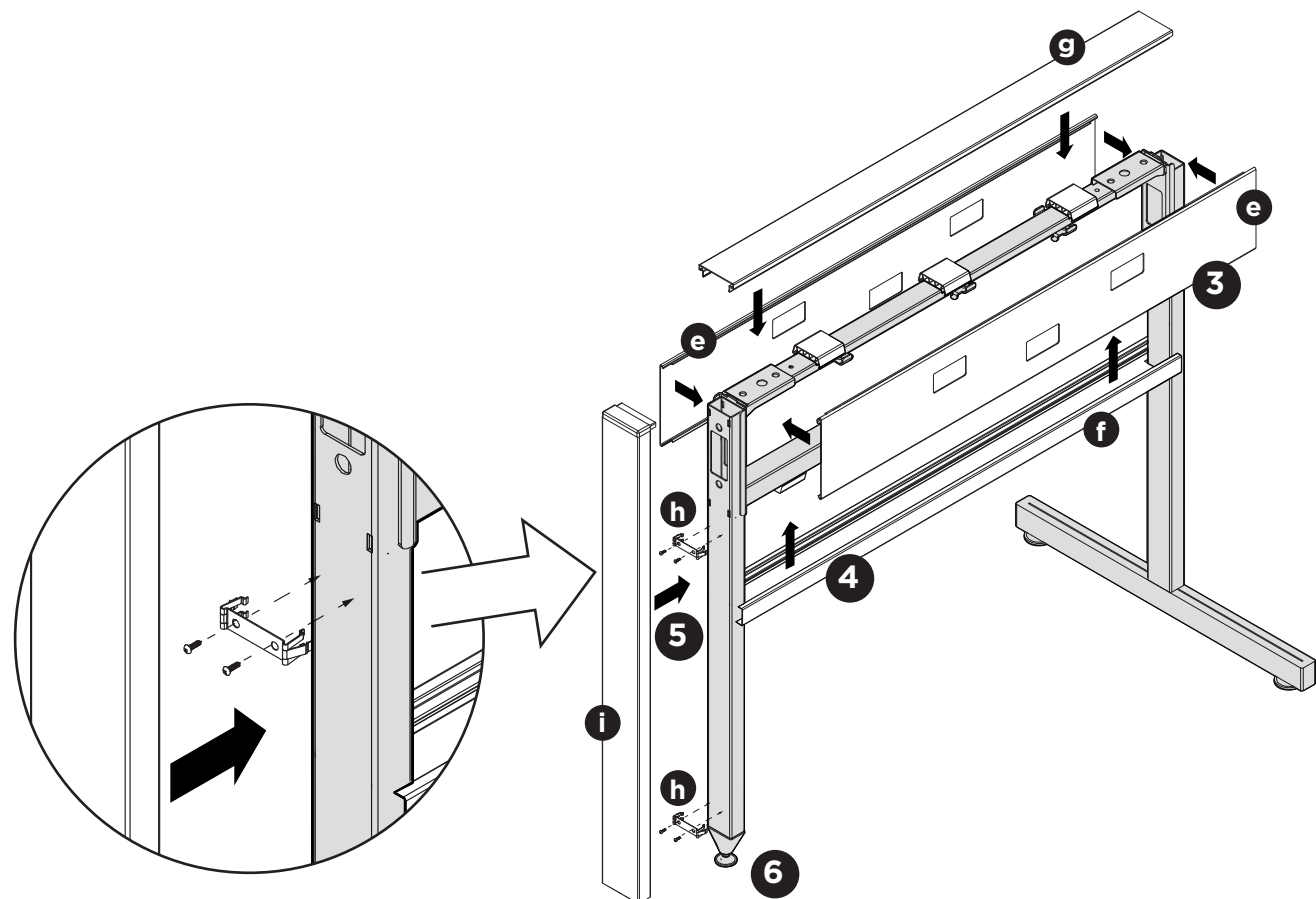
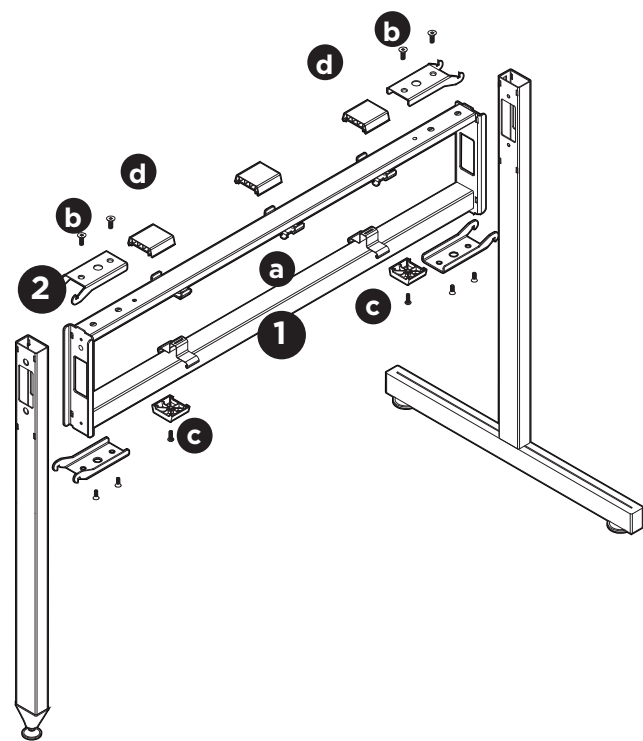
STEP 2: Attach the plastic blocks (c) to the bottom, and the spacers (d) to the top of the power beam. *The plastic blocks (c) are to be attached with screws, while the spacers (d) come with an adhesive.

STEP 3: Add a raceway cover (e) on either side of the power beam.

STEP 4: Install bottom trim (f) and top trim (g).

STEP 5: Install the spring clips (h) using the supplied self drilling screws and snap on the end trims (i).

STEP 6: Adjust levelers as needed.



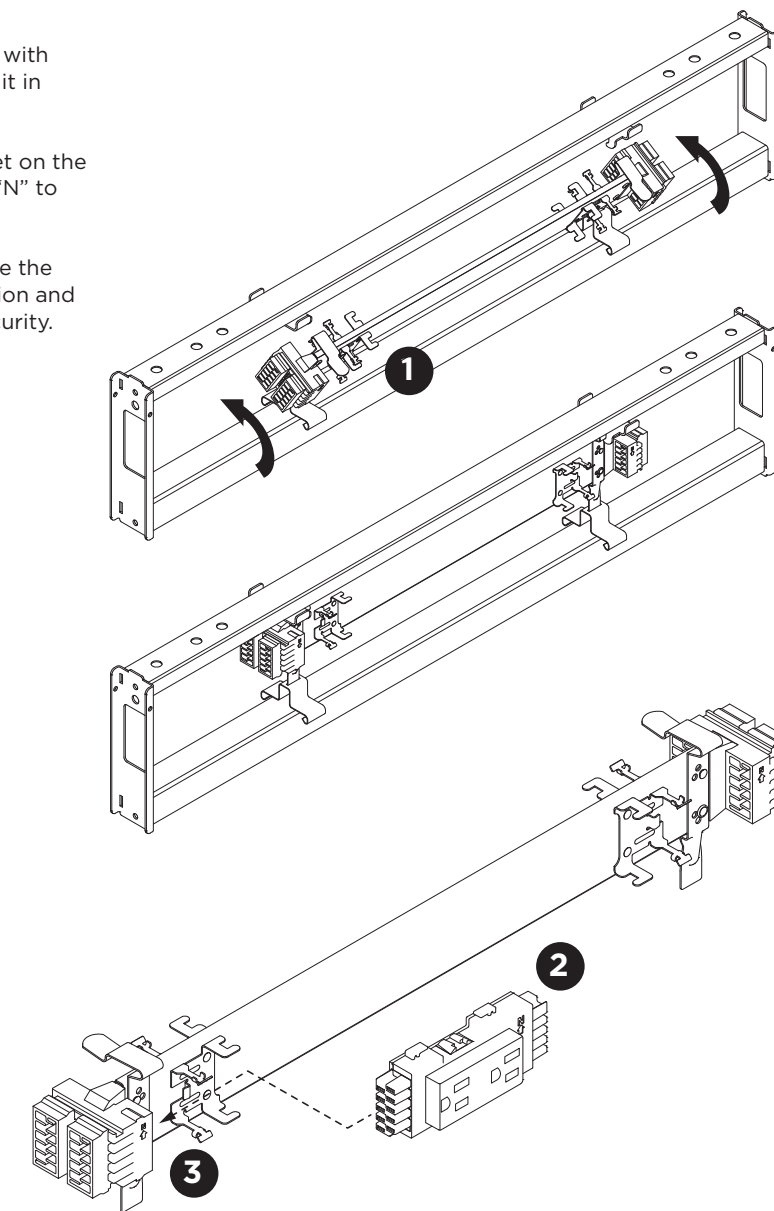
Power Beam - Electrics

Power Distribution Housing

STEP 1: Insert the power distribution housing at an angle with the tabs facing down, into the corresponding slots. Push it in until it clicks.

STEP 2: Position the receptacle into the mounting bracket on the power distribution housing. There is an arrow and letter "N" to indicate which way is up.

STEP 3: Slide it towards the assembly connectors. Be sure the parts are fully seated to assure proper electrical connection and the spring clips are properly engaged for mechanical security.



INSTALLATION GUIDELINES

Power Beam - Electrics

Base Feed and Base Feed Cover

STEP 1: Base feed bracket attaches to leg with provided screws.

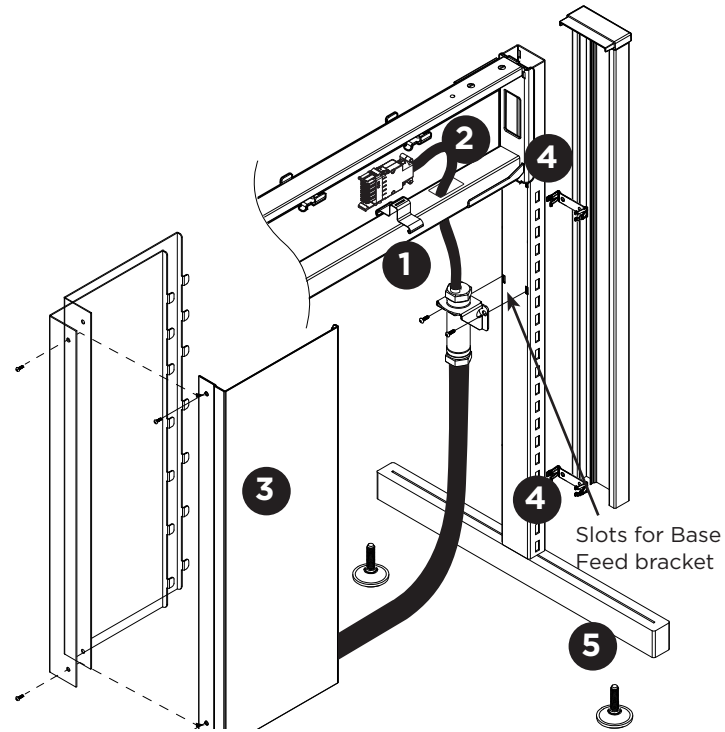
STEP 2: Run the flexible portion of the feed through the opening in the bottom of the power beam.

STEP 3: Add the base feed cover and secure it using the two provided screws.

STEP 4: Snap on two spring clips to accept the end trim with end cap.

STEP 5: Adjust levelers as needed.

Note: There must be only one power feed entry into each cluster of stations.
 Connection to the building supply must be done only by a licensed electrician, and in accordance with applicable codes and regulations. Do not connect or disconnect components while the system is under load! Disconnect the main power before servicing or reconfiguration.



Power Beam - Corner Post

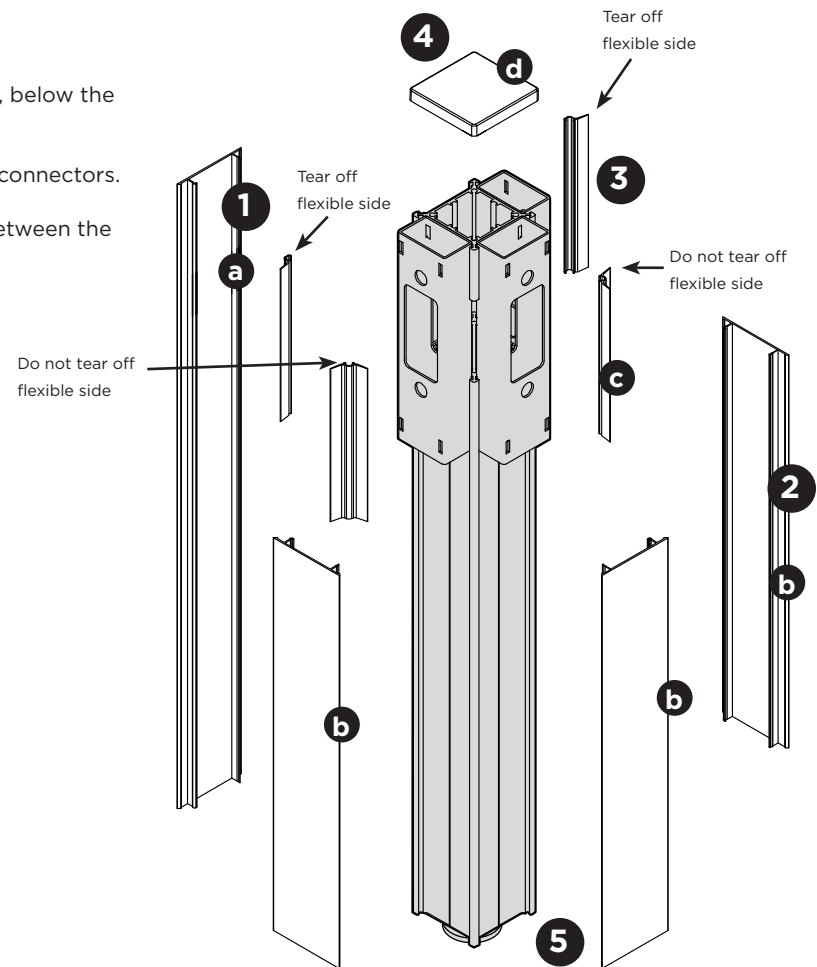
STEP 1: Install the long flat trims (a) by snapping them on the exposed sides of the post.

STEP 2: Snap on the shorter flat trims (b) on the post, below the power beam.

STEP 3: Press in the PVC slot covers (c) between the connectors. Tear off the flexible side of the PVC slot cover when inserting it between the long trim and the connector.

STEP 4: Install the post top cap (d).

STEP 5: Adjust the leveler as needed.



INSTALLATION GUIDELINES

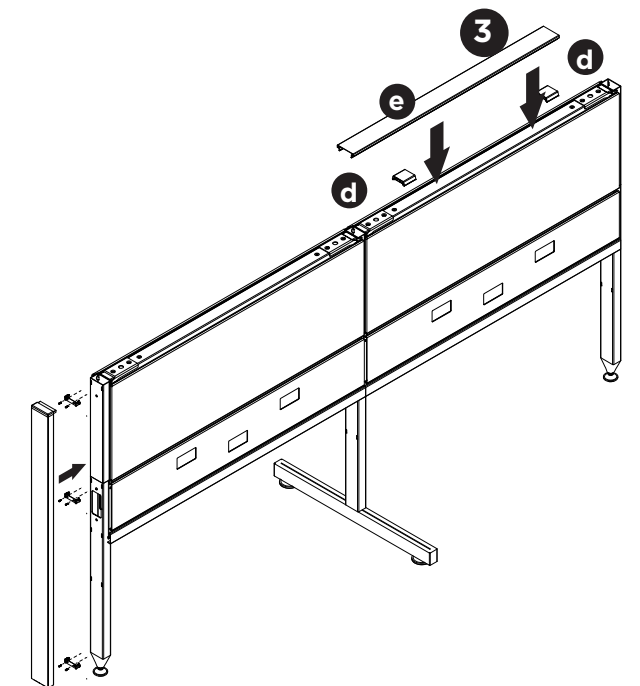
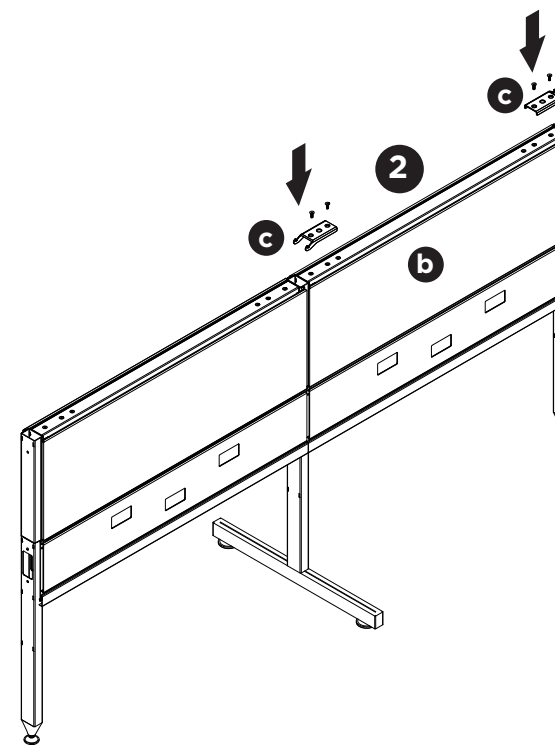
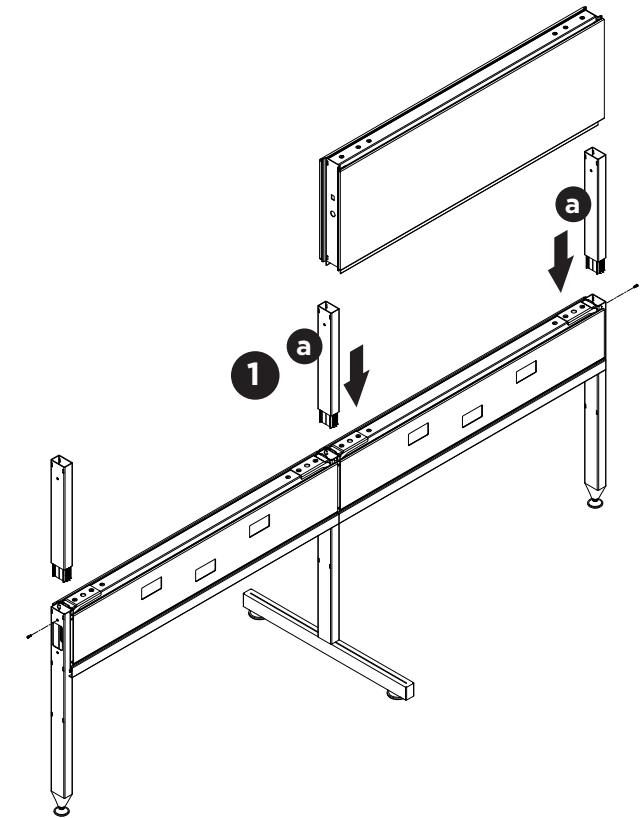
Power Beam - Over Panels (Extension Modules)

*Remove or do not install the plastic spacers (d). Remove or do not install the top trim yet (e).

STEP 1: Insert the extension connector (a) and secure it in place using the provided screw. Post extensions work the same way.

STEP 2: Slide in the module (b) and attach it to the extension connectors using the clamps (c).

STEP 3: Add two plastic spacers (d) on top and snap on the top trim (e).



Power Beam - Part Description

Part Description

- 1 - Laminate end Power
- 2 - Connector with leg
- 3 - Attachment Bracket
- 4 - Wood Screws
- 5 - End-of-Run Trim
- 6 - Cap
- 7 - Spring Clip
- 8 - Self Drilling Screw

Note: First attach power beam to legs, level it and then start installing laminate end panel. Fasten spring clip to leg with screws (8) to hold end-of-run trim (5).

STEP 1: Assemble Power Beam with legs and level it

STEP 2: Attach spring clips to leg with provided self drilling screws and snap on trim

STEP 3: Place brackets in leg groove at leg ends

STEP 4: Put laminate end panel against trim, center and level laminate panel

STEP 5: Mark location of trim with pencil on laminate panel

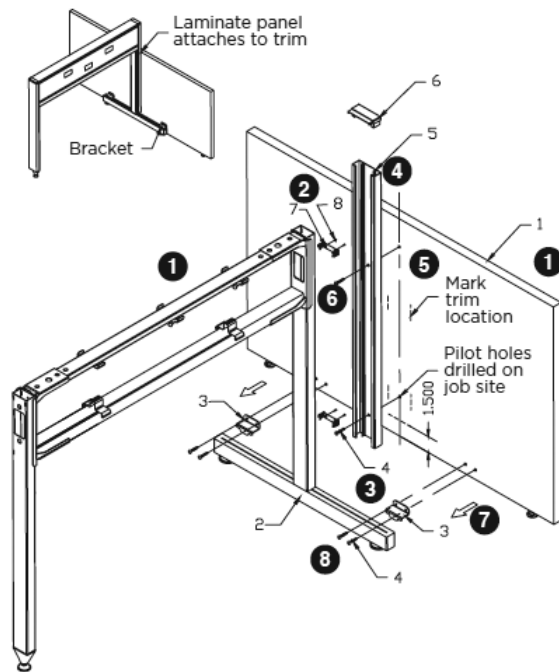
STEP 6: Take off trim and drill holes in trim on center then place trim at marked location and drill pilot holes in laminate panel, attach trim with wood screws

STEP 7: Place laminate panel with with attached trim against leg until trim snaps on

STEP 8: Drill pilot holes for bracket and attach it with wood screws

STEP 9: Make sure that laminate panel is secure

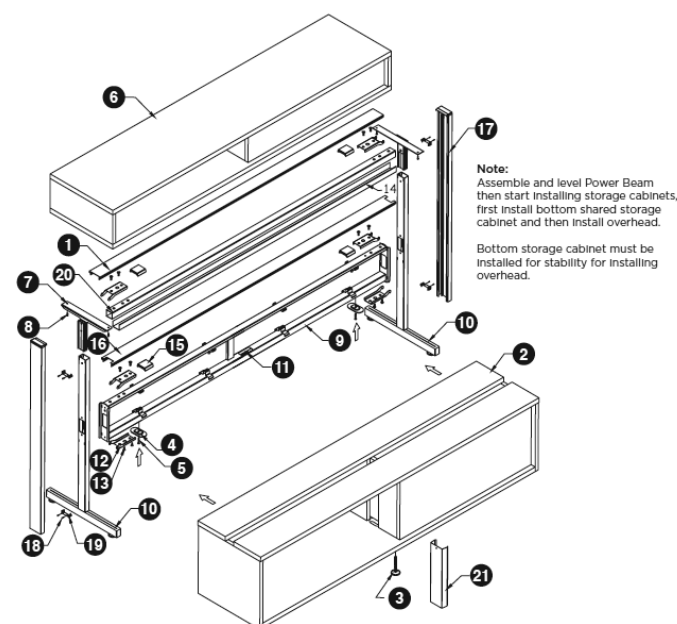
Note: Trim must be attached to laminate panel and snapped on spring clips secured with screws to leg.



Power Beam - Storage Cabinet Instructions

Part Description

- 1 - Top Trim
- 2 - Power Beam Open Storage Cabinet
- 3 - Leveler x2
- 4 - Attachment Bracket
- 5 - Screw for Attachment Bracket
- 6 - Dual Access Overhead
- 7 - Bracket for Overhead
- 8 - Wood Screw to attach Overhead
- 9 - Power Beam at 24"H
- 10 - 36"H Inline Connector with Leg
- 11 - Bottom Horizontal Tube with Cut Out
- 12 - Clamp
- 13 - Screw
- 14 - Bottom Trim for Top Horizontal Tube
- 15 - PVC Spacer
- 16 - Double Notched Top Trim
- 17 - End-of-Run Trim
- 18 - Spring Clip
- 19 - Self Drilling Screw
- 20 - Top Horizontal Tube
- 21 - Electric Cover



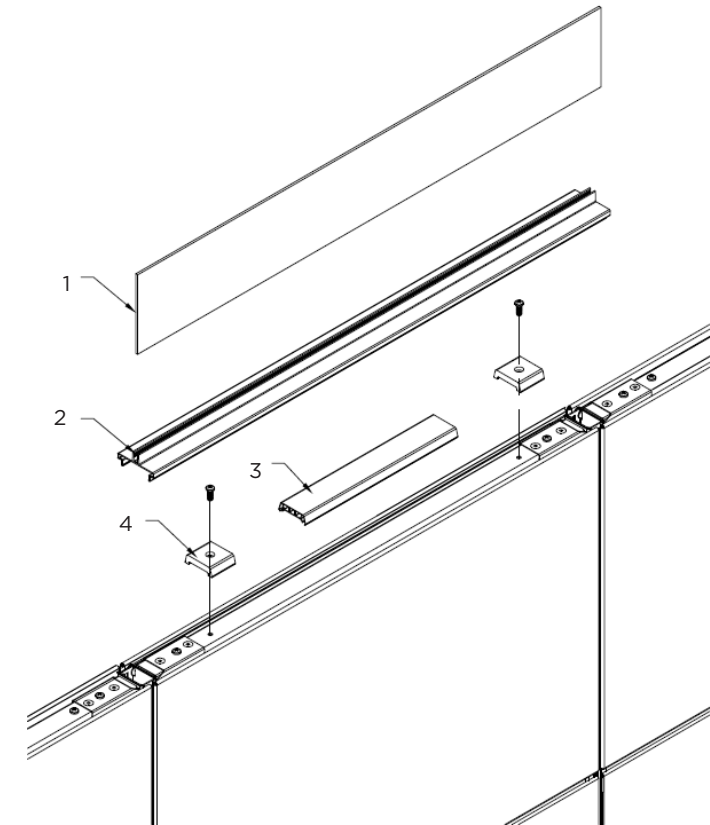
Felt Dividers

STEP 1: Place Blocks (4) into position

STEP 2: Remove strips off of tape underneath 12" Spacer Clip (3) and locate in middle of panel

STEP 3: Align felt evenly within the channel

STEP 4: Push felt down firmly and evenly into the channel.



INSTALLATION GUIDELINES

Privacy Glass installation with new seals

Parts List

- 1 Glass
- 2 Aluminum Top Trim with channel
- 3 12" Spacer Clip
- 4 Block
- 5 Glass Seal
- 6 End Cap
- 7 Small Glass Seal in middle

A Wall Mount is the same as an End-of-Run Post Kit. It is used to attach a panel run to a fixed wall.

STEP 1: Remove strips off of tape underneath 12" Spacer Clip (#3) and locate in middle of panel.

STEP 2: Remove existing pan head screws just outside the single panel clamps, from the top horizontal rail. Place Blocks (#4) into position over screw hole and secure using the same screw previously removed.

STEP 3: Position Top Trim (#2) so the ends of trim align with the center of the connector slots. The holes in the channel that holds the glass, should align with the screws holding the blocks below. Snap top trim on securely.

a. Note: To remove the Top Trim, the screws in the blocks below must be loosened first. After removing the Top Trim, the blocks can be slid to the side, to remove and reuse.

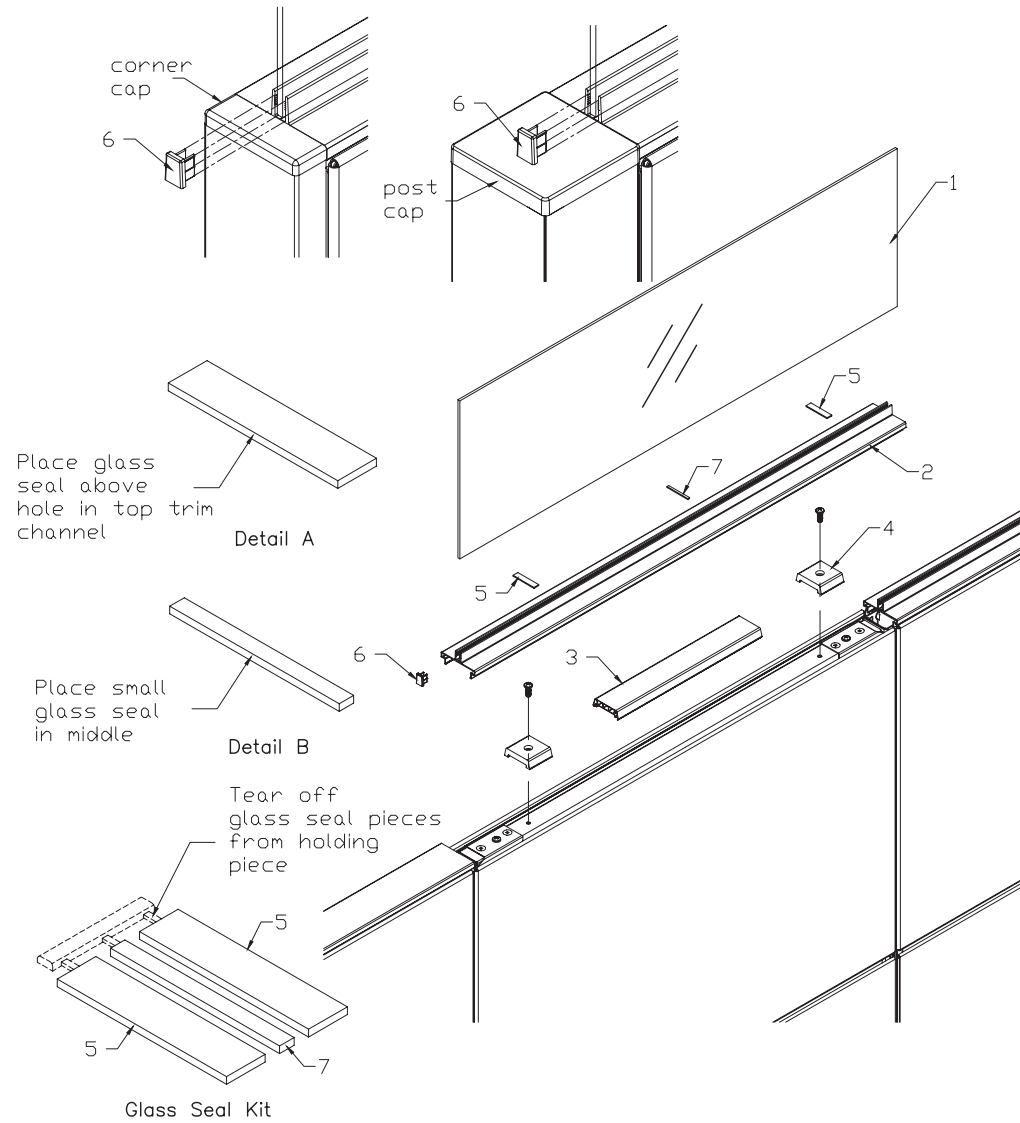
STEP 4: Place the Seal (#5) over each hole, and seal (#7) in middle, in the Top Trim extrusion channel, symmetrically so the cutouts align with the top of the extrusion channel, and the same amount sticks above the extrusion on each side.

STEP 5: Align glass evenly within the channel.

STEP 6: Push Privacy Glass down firmly and evenly into the channel.

STEP 7: Using an exacto knife, cut the excess material on the Seal (#5) that is sticking up above the channel.

STEP 8: Push Cap(#6) in top trim channel at ends to close open ends, see details



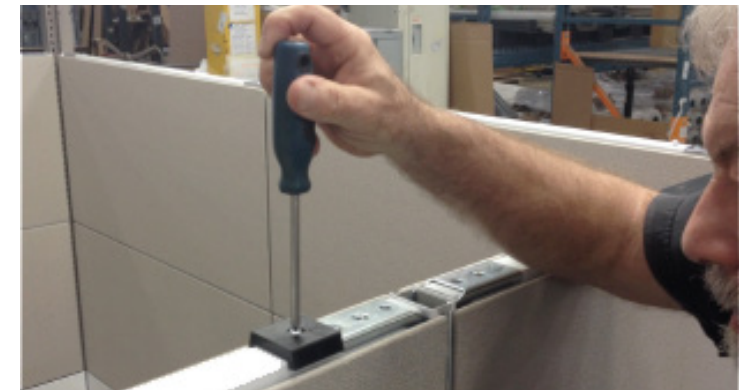
INSTALLATION GUIDELINES

Privacy Glass Installation Instructions

STEP 1: Remove screw



STEP 2: Install block and screw back using the same screw. It is important to start the installation from the middle panel.



STEP 3: Blocks installed



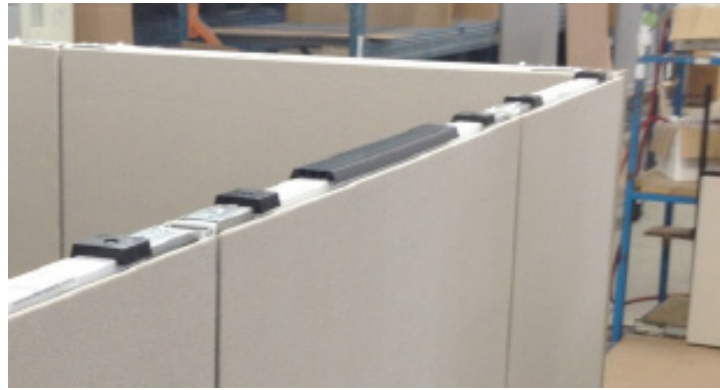
STEP 4: Peel off double sided tape



INSTALLATION GUIDELINES

Privacy Glass Installation Instructions

STEP 5: Install PVC spacer in the middle



STEP 6: Locate top trim and adjust sideways to the middle of the slot



STEP 7: Snap on block



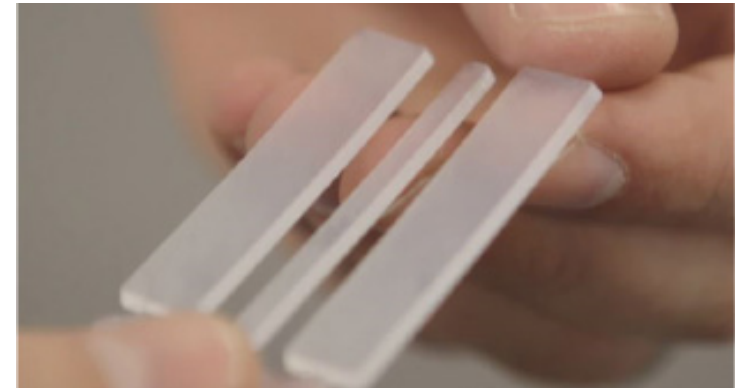
STEP 8: Install next top trim while ensuring that both trims are fully aligned



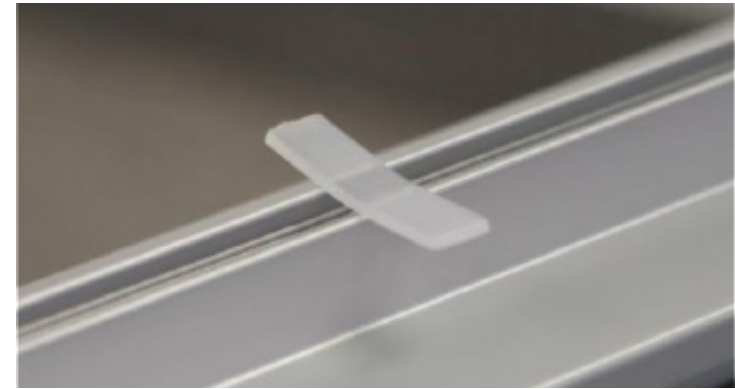
INSTALLATION GUIDELINES

Privacy Glass Installation Instructions

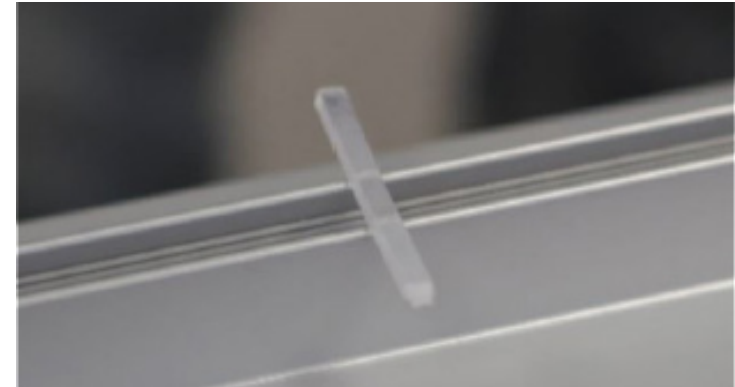
STEP 9: Plastic seal with grooves on the top side. For ease of installation, use 1/2" plastic seal.



STEP 10: Place plastic seal on the head of the block screw with grooves facing down. Adjust the plastic seal symmetrically on the top of the trim on both sides.



STEP 11: Place thin seal in middle of trim



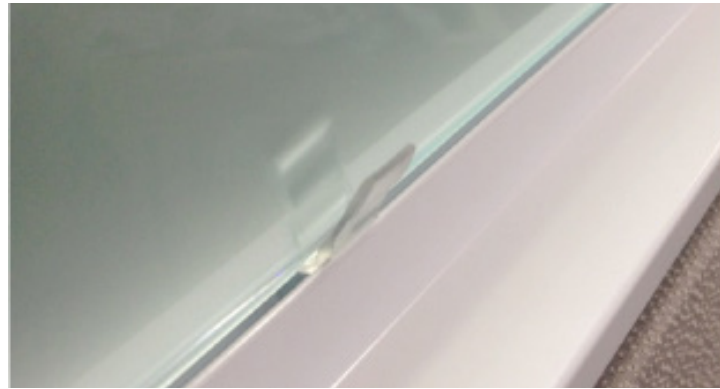
INSTALLATION GUIDELINES

Privacy Glass Installation Instructions

STEP 12: Hold privacy glass from both ends (2 people) and install privacy glass ensuring that the glass seal is fully aligned.



STEP 13: If glass seal slides off place, pull glass up and re-install as indicated in the previous step.



STEP 14: Logo should always be consistently on the same bottom corner. Ensure consistency with having the shiny sides of the privacy glass on the same side.



INSTALLATION GUIDELINES

Privacy Glass Installation Instructions

STEP 15: Ensure that the 2 adjacent privacy glass pieces are aligned and a tight gap is left between the 2 edges (3/32")



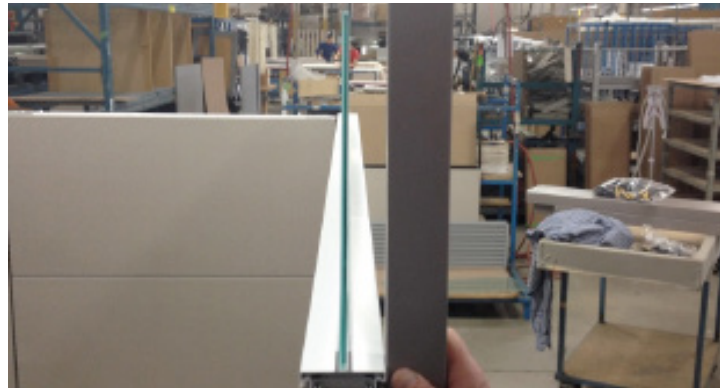
STEP 16: Installation of privacy glass is complete with shiny side out and logo on the bottom left corner



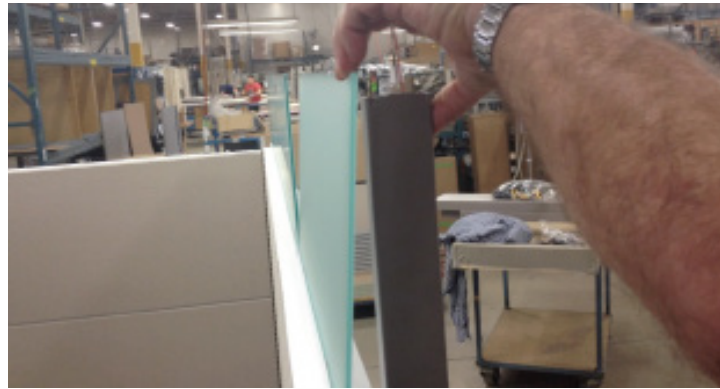
INSTALLATION GUIDELINES

Privacy Glass Installation Instructions

STEP 17: Check the squareness of glass



STEP 18: If needed, pull in the opposite direction and check again



STEP 19: When installation is fully satisfactory, cut protruding plastic seal with exacty knife



INSTALLATION GUIDELINES

Power Beam Storage Cabinet Instructions

STEP 1: Assemble Power Beam with legs and level it, place two connectors flat



STEP 2: Install Glides, turn in until glides are lower than connector



STEP 3: Place storage cabinet on laying connectors between legs and slide under Power Beam



INSTALLATION GUIDELINES

Privacy Glass Installation Instructions

STEP 4: Storage Cabinet under Power Beam



STEP 5: Lift one end of cabinet and rotate connector to sit on narrow side on floor. repeat on other end



STEP 6: Cut out in top under Power Beam bottom tube



INSTALLATION GUIDELINES

Power Beam Storage Cabinet Instructions

STEP 7: Attach provided bracket with screw in threaded insert outside clamp



STEP 8: Use power drill to fasten bracket with screw lifting storage cabinet until gable touches bottom tube



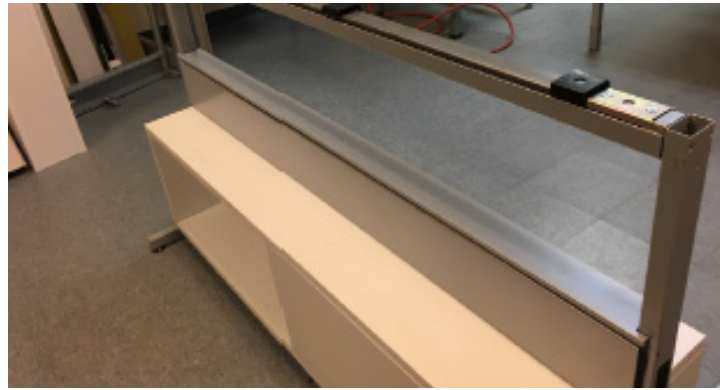
STEP 9: Extend glides to support cabinet and level cabinet



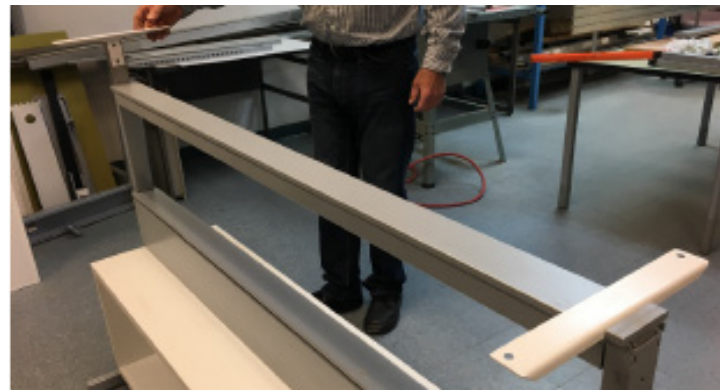
INSTALLATION GUIDELINES

Privacy Glass Installation Instructions

STEP 10: For overhead install top horizontal tube with bottom trim



STEP 11: Install top trim and brackets



STEP 12: Attach overhead with provided screws to brackets





showrooms and distribution centers throughout the united states

SHOWROOMS

Atlanta

10 10th Street, Suite 150
Atlanta, GA 30309
T 404.879.0998
F 404.879.9995

Chicago

The Merchandise Mart
10th Floor, Suite 1035
Chicago, IL 60654
T 312.755.0843
F 312.755.0837

New York City

386 Park Avenue South,
7th floor
New York, NY 10016
T 212.545.9900
F 212.545.5826

New Jersey (Southern)

119 Greentree Road
Marlton, NJ 08053
T 856.596.3390
F 856.596.4472

St. Louis

5 Document Drive
St. Louis, MO 63114
T 314.432.4463
F 314.432.4471

Boston

One Harbor Street,
Suite 104
Boston, MA 02210
T 617.406.5435
F 617.406.5438

Ft. Lauderdale

Las Olas City Centre
401 East Las Olas Blvd.,
Suite 230
Ft. Lauderdale, FL 33301
T 954.763.2684
F 954.763.6870

Philadelphia

1735 Market Street
38th Floor
Philadelphia
PA, 19103
(215) 861-0963

Phoenix

4675 East Cotton
Center Boulevard,
Suite 165
Phoenix, AZ 85040
T 602.426.0666
F 602.426.1148

Washington, DC

1130 Connecticut
Avenue
Washington, DC 20036
T 202.659.0230
F 202.659.0306

SHOWROOMS + DISTRIBUTION CENTERS

Atlanta Area

2124 Evergreen Blvd.
Duluth, GA 30096
T 678.602.4130
F 678.602.4136

Cincinnati Area

8712 LeSaint Drive
Fairfield, OH 45014
T 513.777.0009
F 513.777.5863

Ft. Lauderdale Area

560 Sawgrass
Corporate Parkway
Sunrise, FL 33325
T 954.846.8888
F 954.846.8110

New Orleans Area

901 South Labarre
Road, Suite 201
Metairie, LA 70001
T 504.834.6228
F 504.835.9638

Kansas Area

11617 West 81st Street
Lenexa, KS 66214
T 913.310.9963
F 913.310.9976

Baltimore Area

Troy Hill Corporate
Center
7030 Troy Hill Drive
Elkridge, MD 21075
T 410.379.8021
F 301.362.9444

Dallas Area

2025 W. Beltline Rd.,
#100
Carrrollton, TX 75006
T 972.236.1366
F 972.236.1372

Houston

7865 Northcourt Road,
Building D, Suite 200
Houston, TX 77040
T 713.695.5777
F 713.695.5778

San Francisco Area

44091 Nobel Drive
Fremont, CA 94538
T 510.897.4150
F 510.897.4156

Tampa Area

10351 Windhorst Road
Tampa, FL 33619
T 813.621.6272
F 813.621.7958

Boston Area

19 Connector Rd., Unit 1
Andover, MA 01810
T 978.470.8463
F 978.470.8920

Denver Area

16401 E. 33rd Dr., Ste. 50
Aurora, CO 80011
T 303.340.1617
F 303.340.1657

Los Angeles Area

12320 Bloomfield
Avenue, Unit A
Santa Fe Springs, CA
90670
T 562.484.9686
F 562.484.9685

Seattle Area

Oakesdale Commerce
Center
820 Southwest 34th St.
Building W7, Suite A
Renton, WA 98057
T 425.291.9282
F 425.291.9287

Global - USA Headquarters

17 West Stow Road P.O. Box 562
Marlton, New Jersey U.S.A. 08053
Tel (856) 596-3390 (800) 220-1900
Fax (856) 596-5684
www.globalfurnituregroup.com

Global - Canada Headquarters

1350 Flint Road
Downsview, ON Canada M3J 2J7
Sales & Marketing: Tel (1-877) 446-2251
Customer Service: Fax (800) 361-3182
Government Customer Service: Fax (416) 739-6319



Association of Canadian Ergonomists
Association Canadienne d'Ergonomie