

EVOLVE POWERBEAM – WEBSITE TYPICALS

EPB512 – 2PACK

SPECIFICATION DEPARTMENT

global furniture group
 globalfurnituregroup.com
 globalADpartfollo.com
 evolvefurnituregroup.com

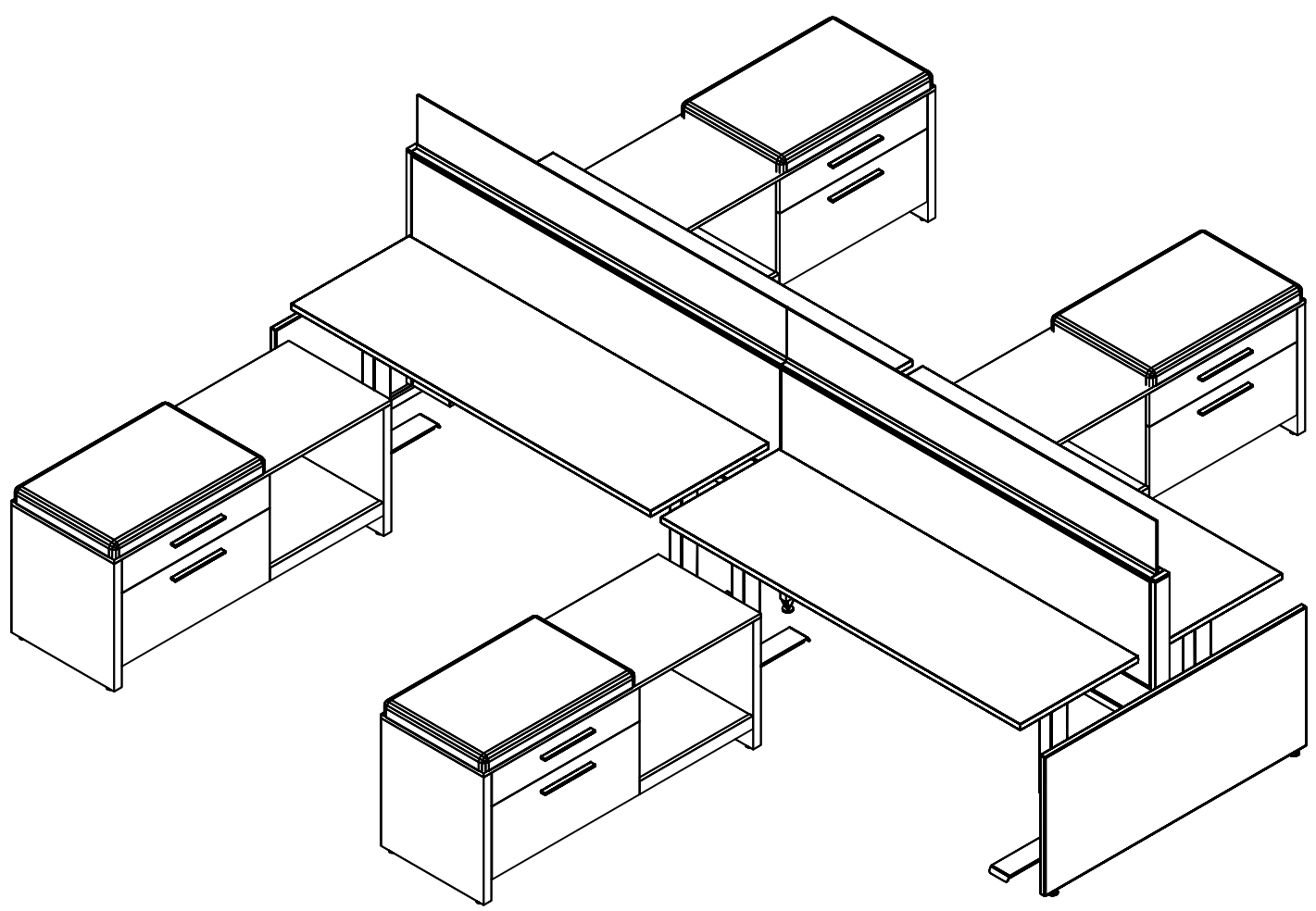
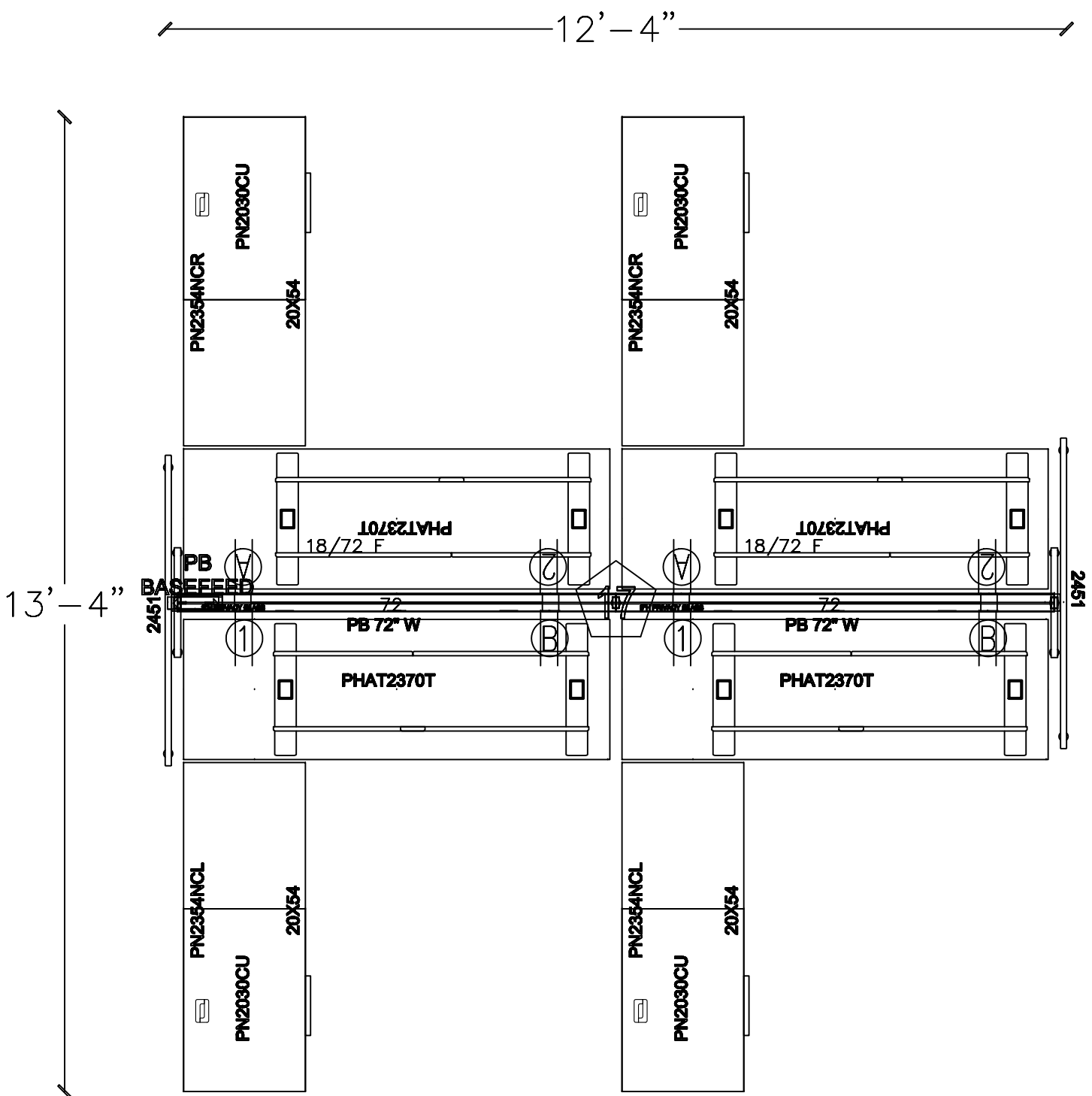


PREPARED BY
 DATE
 PROJECT NUMBER
 REVISION

SHEET

SCALE = NTS

DRAWN TO DEALER PROVIDED SPECIFICATIONS. THE GLOBAL GROUP OF COMPANIES IS NOT RESPONSIBLE FOR THE OVERALL ACCURACY OF ROOM DIMENSIONS, COLUMNS, DOORWAYS, WINDOWS, OBSTRUCTIONS, ETC. THIS RENDERING IS BEING PROVIDED TO YOU IN CONJUNCTION WITH THE PROSPECTIVE RETAIL SALE OF PRODUCTS AND IS FOR INFORMATIONAL PURPOSES ONLY. THE GLOBAL GROUP OF COMPANIES IS NOT A LICENSED INTERIOR DESIGNER OR ARCHITECT.



EVOLVE POWERBEAM – WEBSITE TYPICALS

EPB512 – 4PACK

SPECIFICATION DEPARTMENT

global furniture group
 globalfurnituregroup.com
 globalADpartfolo.com
 evolvefurnituregroup.com

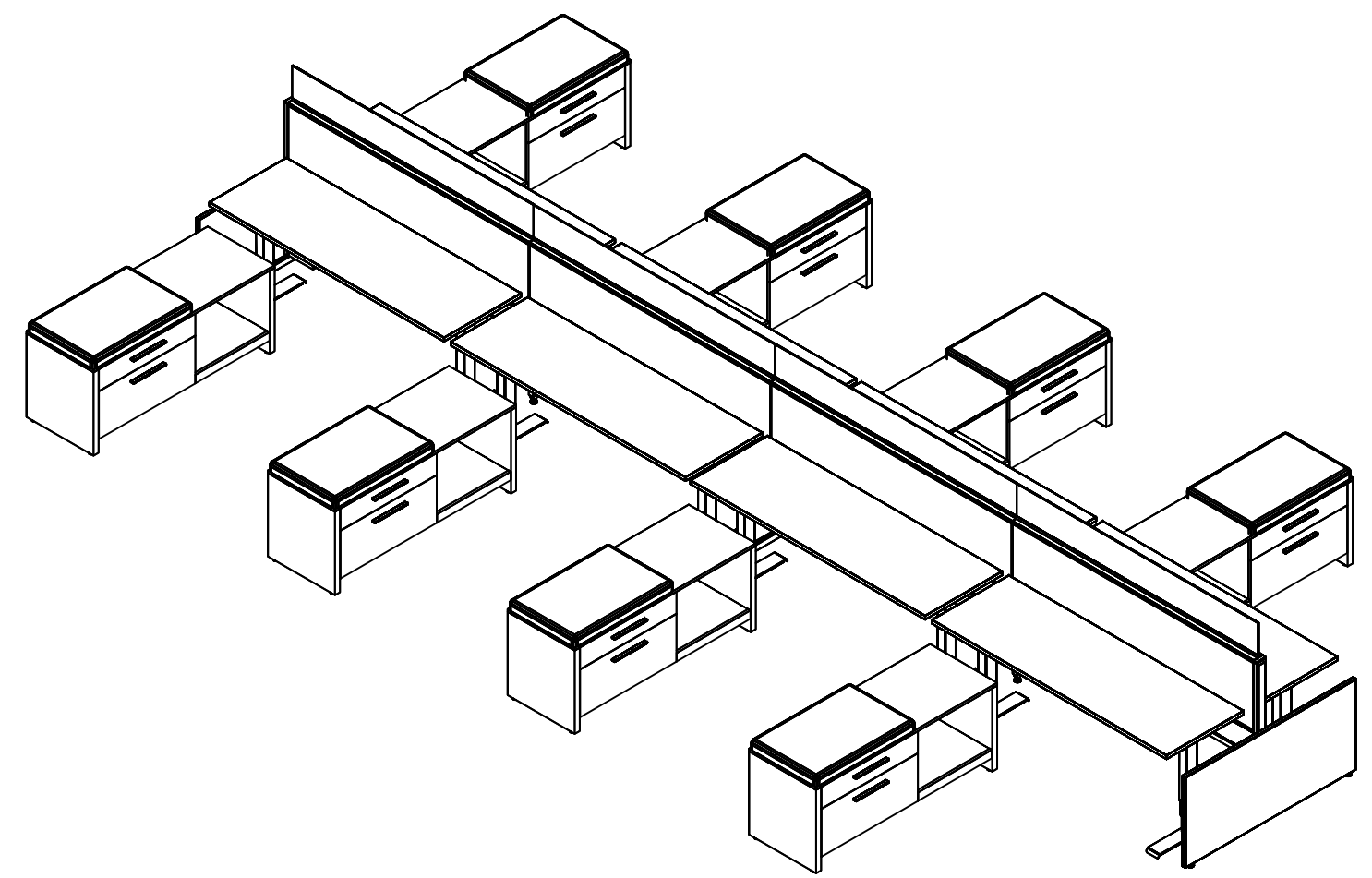
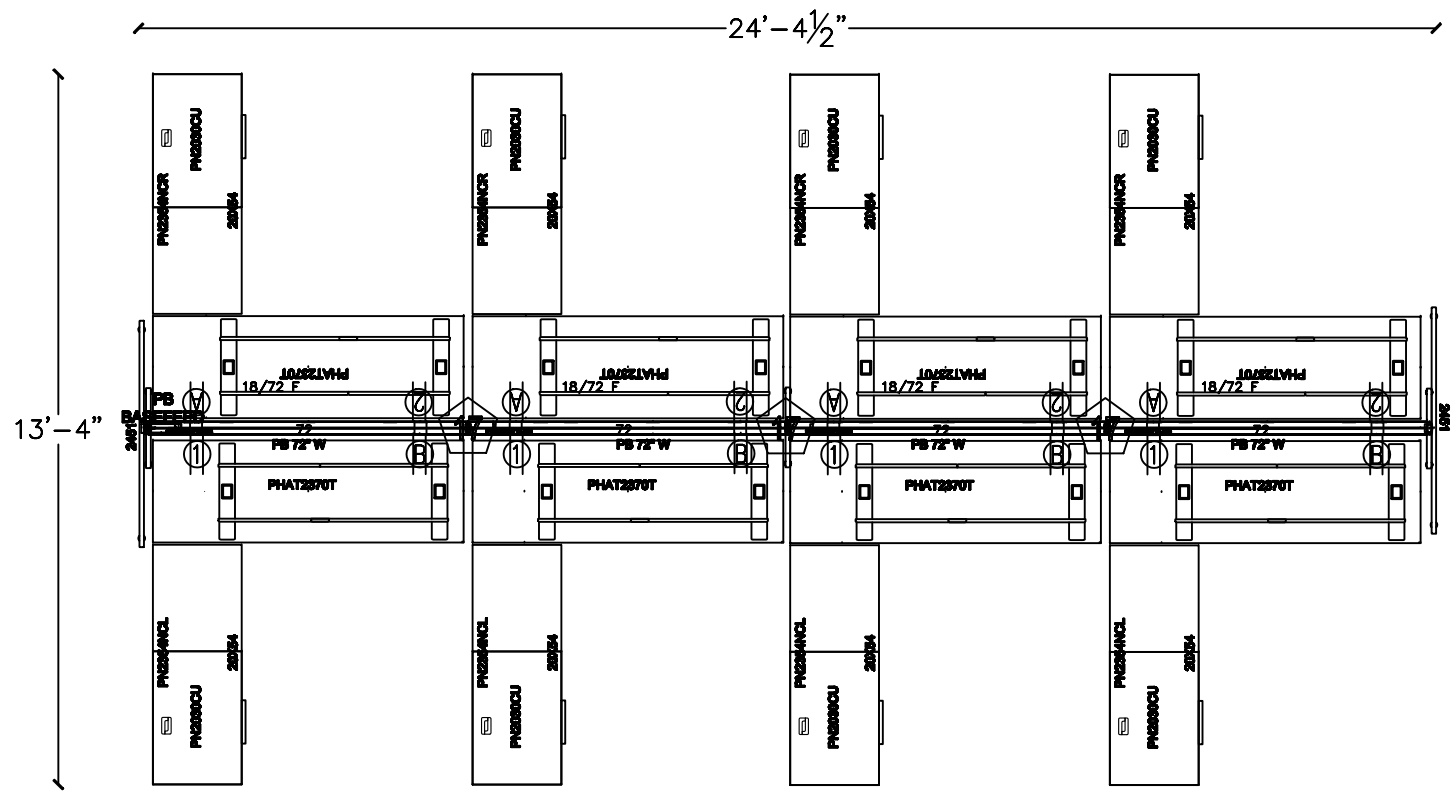


PREPARED BY
DATE
PROJECT NUMBER
REVISION

SHEET

SCALE = NTS

DRAWN TO DEALER PROVIDED SPECIFICATIONS. THE GLOBAL GROUP OF COMPANIES IS NOT RESPONSIBLE FOR THE OVERALL ACCURACY OF ROOM DIMENSIONS, COLUMNS, DOORWAYS, WINDOWS, OBSTRUCTIONS, ETC. THIS RENDERING IS BEING PROVIDED TO YOU IN CONJUNCTION WITH THE PROSPECTIVE RETAIL SALE OF PRODUCTS AND IS FOR INFORMATIONAL PURPOSES ONLY. THE GLOBAL GROUP OF COMPANIES IS NOT A LICENSED INTERIOR DESIGNER OR ARCHITECT.



EVOLVE POWERBEAM – WEBSITE TYPICALS

EPB512 – 8PACK

SPECIFICATION DEPARTMENT

global furniture group
 globalfurnituregroup.com
 globalADportfolio.com
 evolvefurnituregroup.com



PREPARED BY
 DATE
 PROJECT NUMBER
 REVISION

SHEET

SCALE = NTS

DRAWN TO DEALER PROVIDED SPECIFICATIONS. THE GLOBAL GROUP OF COMPANIES IS NOT RESPONSIBLE FOR THE OVERALL ACCURACY OF ROOM DIMENSIONS, COLUMNS, DOORWAYS, WINDOWS, OBSTRUCTIONS, ETC. THIS RENDERING IS BEING PROVIDED TO YOU IN CONJUNCTION WITH THE PROSPECTIVE RETAIL SALE OF PRODUCTS AND IS FOR INFORMATIONAL PURPOSES ONLY. THE GLOBAL GROUP OF COMPANIES IS NOT A LICENSED INTERIOR DESIGNER OR ARCHITECT.